

Product Option Description

EST - Enhanced Spray Technology

Solvent Tool Upgrade

Improve process uniformity and yield with Semitool's latest spray process technology upgrade.

The **EST Upgrade** (now standard on all new Semitool Class 1 Spray Solvent Tools) is Semitool's latest advance in spray process technology. This upgrade, which can be done as part of a Rhotech factory restoration, increases chemical flow and improves spray uniformity.

Upgrade includes:

- New SS chemical processing chamber
- New dual spray manifolds doubling the number of nozzles from 9 to 18
- Larger 5/8" valve manifold and 1/2" lines

Operating improvements:

- Increased chemical and DI water flow
- Improved spray uniformity over the wafer and load (see Figure 2)

Process results:

- Enhanced stripping uniformity
- Reduced particle counts
- Improved yield

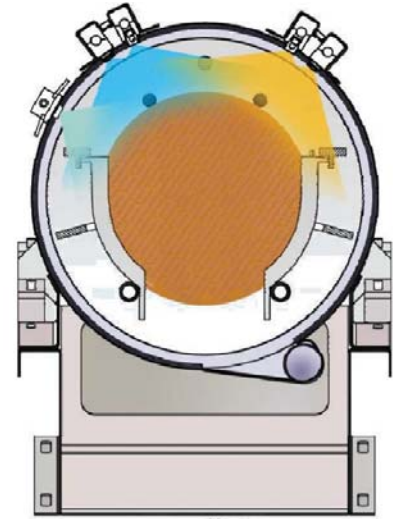
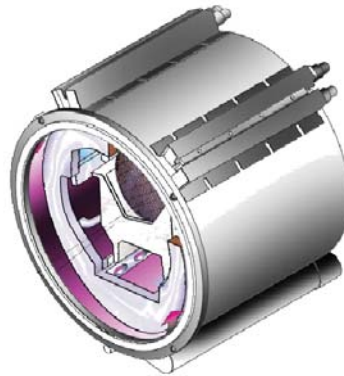


Figure 1:
Dual feed manifold

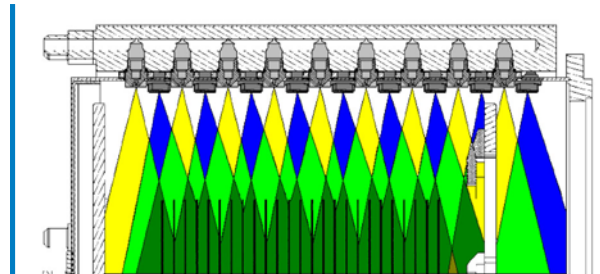


Figure 2:
Improved sprays uniformity, within the chamber, across the load, across the wafer.

Figure 3:
Increasing valve size from 3/8" to 5/8" results in 60% increase in back-pressure at the nozzles, producing more vigorous and uniform spray.

